

Dual-spectrum PTZ Network Camera PT4S4



Product Feature

- Clearer imaging with the latest generation 12micron uncooled infrared detector and leading infrared image algorithm.
- Visual and 1.3MP thermal dual-spectrum imaging, meet the needs of 24/7 security monitoring.
- Support 75mm electric-focus, 25~75mm continuous zoom infrared lens, 100mm to satisfy long-distance detection.
- Support intelligent behavior analysis, such as tripwire detection and region intrusion detection.
- Support intelligent smoke and fire detection and infrared video analysis to meet the requirement of forest fire prevention and intelligent firefighting.
- Integrated with high-speed and high-accuracy PT, encapsulation rating IP66
- Support single-IP, double-channel network video transmission, transmit visible video and infrared video simultaneously.
- Support ONVIF and GB28281 standard protocols, provide SDK, matched NVR and Software

Product Specifications

Technical Index		PT4S4		
Thermal	Sensor Type	VOx uncooled FPA detector		
	Spectral Range	8 ~ 14 μ m		
	NETD	\leq 40mK(@25°C,F#1.0,25Hz)		
	Max. Resolution	1280 \times 1024		
	Pixel Pitch	12 μ m		
	Focal Length	75mm	25 ~ 75mm	
	Focus Mode	Auto/Manual/One-shot Auto		
	FOV	11.7° \times 9.4°	11.5° \times 9.3°~35.9° \times 28.5°	
	F number	F1.0	F0.95~F1.2	
	Spatial Resolution	0.160mrad	0.160~0.480mrad	
	Color Palettes	20 modes selectable such as Blackhot/Whitehot/Rainbow,etc.		
	Visible	Image sensor	1/1.8inch 4MP CMOS	
Max. Resolution		2688 \times 1520		
Focal Length		6~300mm		
Focus Mode		Auto / Manual / One-shot auto		
FOV		66.0° \times 40.3°~ 1.4° \times 0.8°		
WDR		Support		
Day /Night		Manual/Auto		
Fog Penetration		Support optical fog penetration		
PTZ	Pan Range	360° Continuous Rotate		
	Pan Speed	0.1° ~ 100°/s		
	Tilt Range	-90° ~ +40°		
	Tilt Speed	0.1° ~ 60°/s		
	Scan Mode	Preset/Pattern	Scan/Patrol	Scan/Linear Scan/Panorama Scan
Network	Protocols	TCP/IP,UDP,ICMP,HTTP,HTTPS,FTP,DHCP,DNS,RTP,RTSP,RTCP,IGMP,SMTP, NTP, QoS		
	Interoperability	ONVIF/GB28181/SDK		
	Simultaneous live view	Up to 20 channels		
	User Management	Up to 20 users, 2 levels: Administrator and User		
	Browser	IE8+, multiple languages		
Video	Max. Resolution	2688 \times 1520(Visible), 1280 \times 1024 (Thermal)		
	Image Encoding Format	JPEG		
	Audio Compression	G.711A/G.711Mu/PCM/AAC/MPEG2-Layer2		

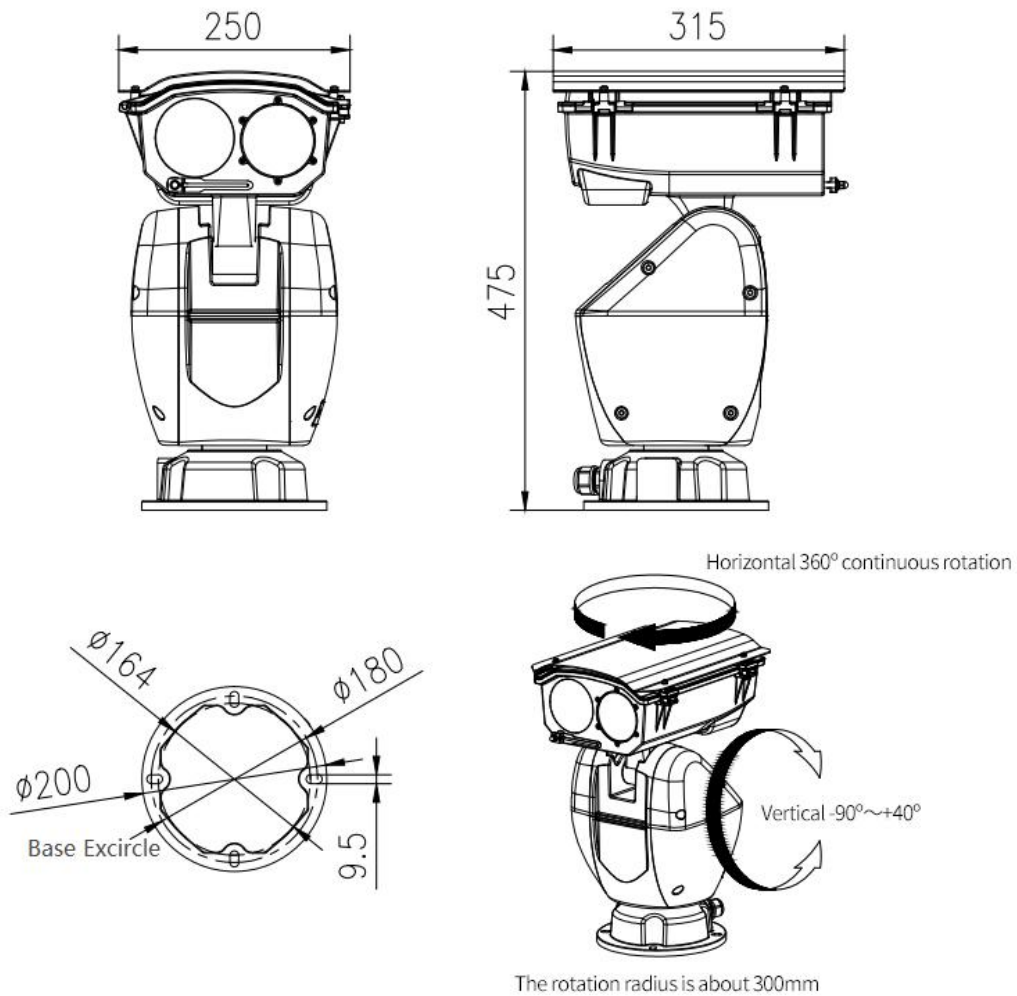
Technical Index		PT4S4
	Video Compression	H.264/H.265/MJPEG
	Main Stream	Visible: 50Hz:25fps(2688×1520,1920×1080,1280×720) 60Hz:30fps(2688×1520,1920×1080,1280×720) Thermal: 50Hz:25fps(1280×1024,1280×720,1024×768)
	Sub Stream	Visible: 50Hz:25fps(1920×1080,1280×720,704×576,352×288) 60Hz:30fps(1920×1080,1280×720,704×480,352×240) Thermal: 50Hz:25fps(640×512,384×288)
Smart Function	Fire Detection	yes
	Zoom Linkage	yes
	Smart Record	Alarm trigger recording, disconnection trigger recording (continue transmission after connection)
	Smart Alarm	Support alarm trigger of network disconnection, IP address conflict, full memory, memory error, illegal access and abnormal detection
	Smart Detecting	Support smart video analysis such as line intrusion, cross-border, and region intrusion
	Alarm Linkage	Recording/Capture/Sending mail/PTZ linkage/Alarm output
System Interface	Power Supply	DC 24V±15%
	Communication Interface	RJ45 self-adaptive 10M/100M Ethernet port
	Audio Interface	1channel input, 1 channel output
	Alarm Interface	7-channel input, 2-channel output
	Storage Interface	Support Micro SD card (Max.256G)
	Communication Interface	1-channel RS485
General	Operating Conditions	-40℃ ~ +70℃ ; <90%RH
	Protection Grade	IP66 , TVS 6000V Lightning Protection, Surge Protection and Voltage Transient Protection Conform to GB/T17626.5 Grade-4 Standard
	Power Consumption	Max.75W
	Dimensions(mm)	250mm×472mm×360mm(W×H×L)
	Weight	14KG

Operating Distance

The recommended distance of detecting, recognizing and identifying for man (1.8×0.5m) and vehicle (1.4×4.0m) are as follows:

Lens	DD (Vehicle)	DD (Man)	RD (Vehicle)	RD (Man)	ID (Vehicle)	ID (Man)
100mm	12.8km	4.2km	3.2km	1.0km	1.6km	0.5km
75mm	9.6km	3.1km	2.4km	0.8km	1.2km	0.4km
25mm	3.2km	1.0km	0.8km	0.3km	0.4km	0.1km

Structural Drawings



This datasheet is subject to change without prior notice. Please contact us to get the latest datasheet.